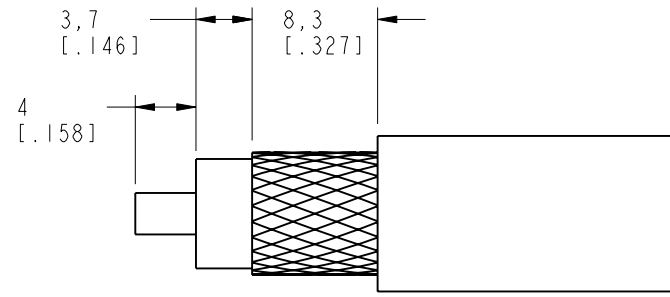


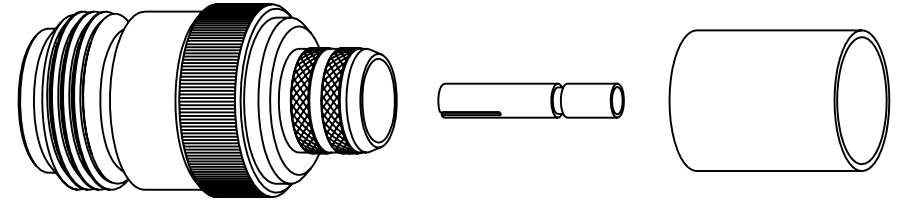
NOTES:

- MATERIALS OF CONSTRUCTION:  
 BODY, BARREL & FERRULE = BRASS, NICKEL PLATED  
 CONTACT PIN = PHOSPHOR BRONZE, GOLD PLATED  
 INSULATOR = TEFLON, MIL-P-19468
- CRIMPED FERRULE = HEX CRIMP SIZE .429  
 CRIMPED CONTACT PIN = HEX CRIMP SIZE .100

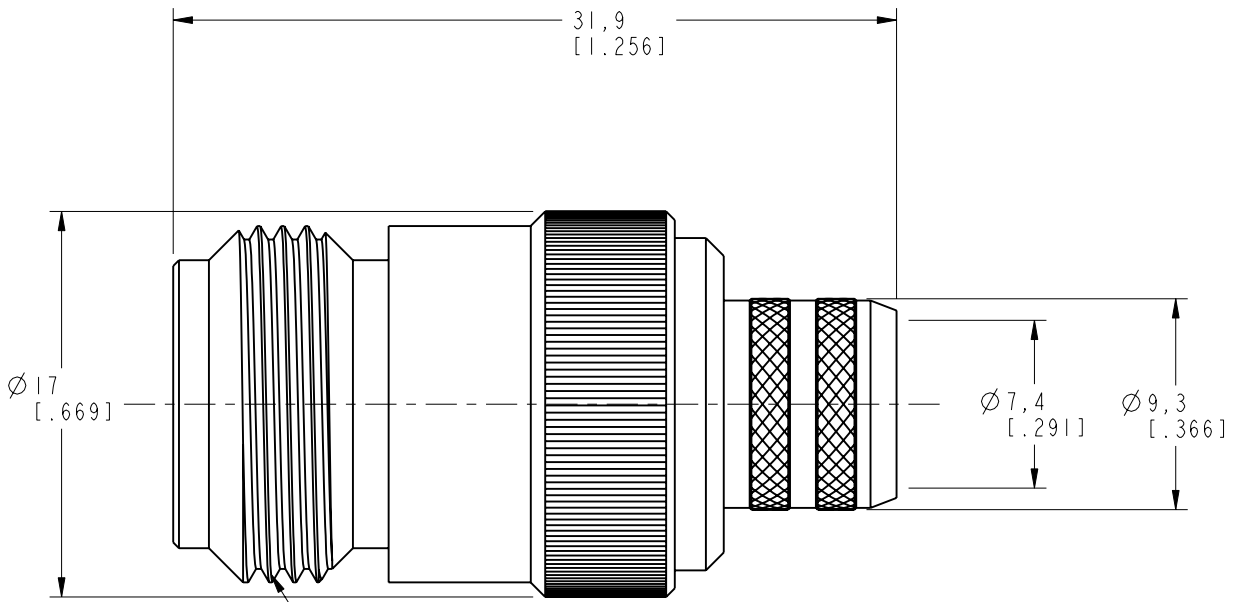
82-4429-RFX		REVISIONS			
DRAWING NO.	REV	DESCRIPTION	DATE	ECO	APPR
THIRD ANGLE PROJ.	A	RELEASE TO MFG.	11/28/00	43603	CPM
	B	ADDED RG 214	8/17/07	46703	OM



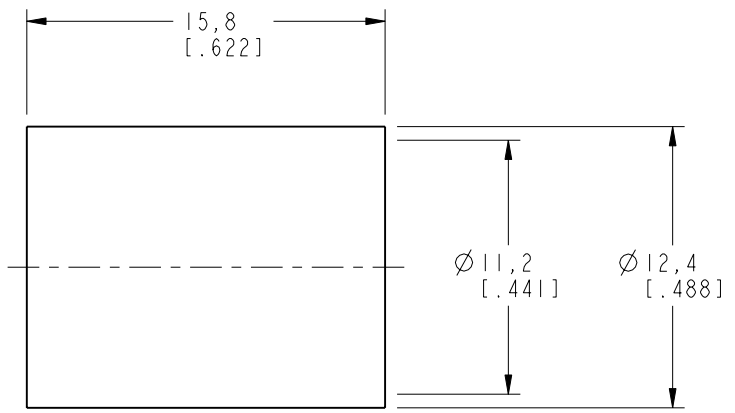
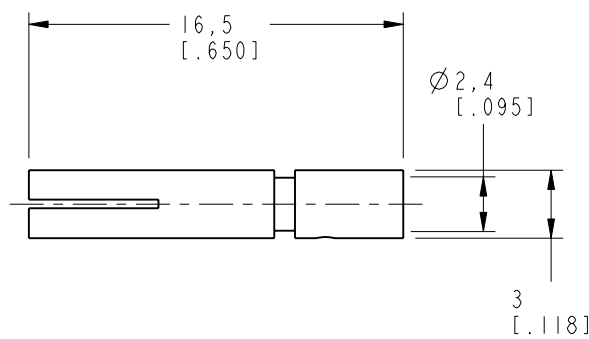
RECOMMENDED CABLE STRIPPING DIMENSIONS  
SCALE 2.000



SCALE 1.500



5/8-24UNEF-2A THREAD



**CUSTOMER OUTLINE DRAWING**  
ALL OTHER SHEETS ARE FOR INTERNAL USE ONLY

UNLESS OTHERWISE SPECIFIED, DIMENSIONS ARE IN MM (INCHES) AND TOLERANCES ARE: 0.5 - 6mm ±0.2mm 6 - 30mm ±0.4mm 30 - 120mm ±0.6mm	MATERIAL	DRAWN C. McGRATH	DATE 11/14/00	TITLE 'N' CRIMP JACK RG 214	Amphenol Amphenol Corporation Communication and Network Products Division Danbury, CT U.S.A. 06810		
	REFERENCE GEN# 82-6169_ASSY	ENGINEER T. AUBIN	DATE 11/14/00			SCALE: 3.0:1 SHEET 2 OF 2	
NOTICE - These drawings, specifications, or other data (1) are, and remain the property of Amphenol Corp. (2) must be returned upon request; and (3) are confidential and not to be disclosed to any person other than those to whom they are given by Amphenol Corp. The furnishing of these drawings, specifications, or other data by Amphenol Corp., or to any other person to anyone for any purpose is not to be regarded by implication or otherwise in any manner licensing, granting rights or permitting such holder or any other person to manufacture, use or sell any product, process or design, patented or otherwise, that may in any way be related to or disclosed by said drawings, specifications, or other data.		APPROVED	DATE	CODE ID 74868	DWG SIZE B	DRAWING NO. 82-4429-RFX	REV B

# Mouser Electronics

Authorized Distributor

Click to View Pricing, Inventory, Delivery & Lifecycle Information:

[Amphenol:](#)

[82-4429-RFX](#)