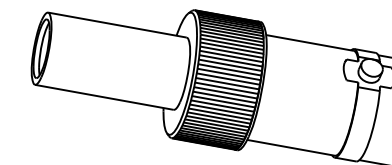


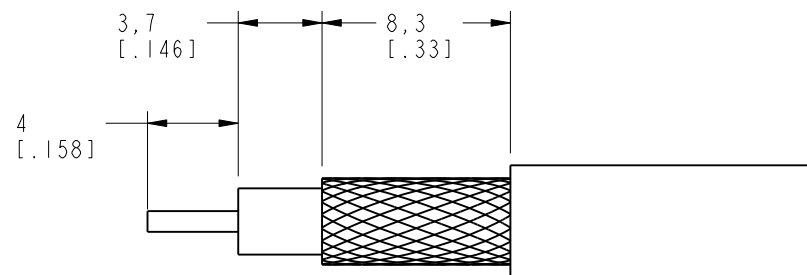
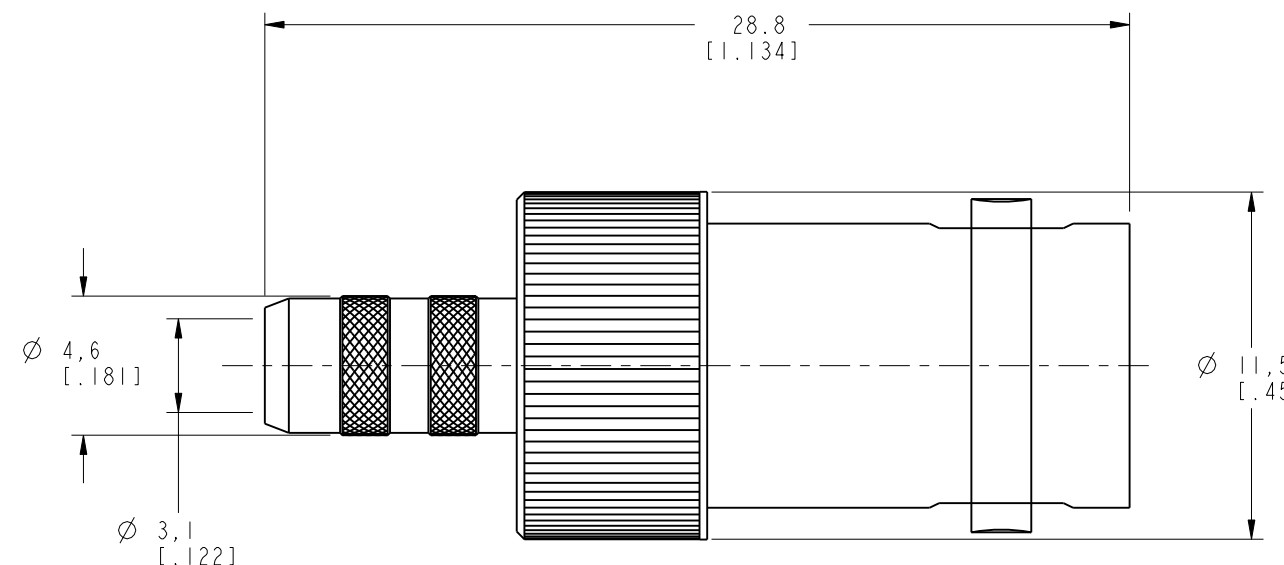
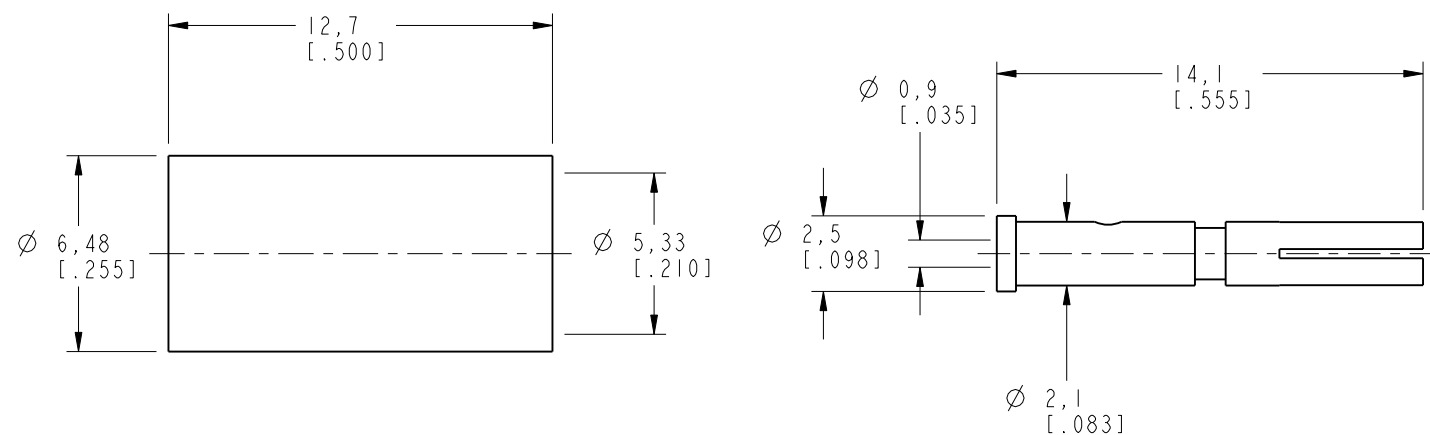
NOTES:

- MATERIALS OF CONSTRUCTION:  
 HOUSING & BODY = BRASS (ASTM-B16 H02, C36000), NICKEL PLATED (.000100 MIN) THICK  
 CONTACT PIN = PHOSPHOR BRONZE (QQ-B-750), GOLD PLATED (.000003 MIN) THICK  
 FERRULE = COPPER, NICKEL PLATED(.000100 MIN) THICK  
 INSULATOR = PTFE, ASTM D 1710 OR EUIV
- CRIMPED CONTACT PIN = HEX CRIMP SIZE .068

31-327-RFX		REVISIONS			
DRAWING NO.	REV	DESCRIPTION	DATE	ECO	APPR
THIRD ANGLE PROJ.	A	RELEASE TO MFG.	9/6/02	44188	CPM
	B	ADDED "RG 58" TO TITLE	6/21/07	46596	TC
	C	SEE SHEET 1 FOR DETAILS	6/26/09	47624	CPM



SCALE 1.500



RECOMMENDED CABLE STRIPPING DIMENSIONS  
 SCALE 3.000

**CUSTOMER OUTLINE DRAWING**

ALL OTHER SHEETS ARE FOR INTERNAL USE ONLY

UNLESS OTHERWISE SPECIFIED, DIMENSIONS ARE IN MM (INCHES) AND TOLERANCES ARE:  
 0.5 - 6mm ±0.2mm, 6 - 30mm ±0.4mm, 30 - 120mm ±0.6mm

NOTICE - These drawings, specifications, or other data (1) are, and remain the property of Amphenol Corp. (2) must be returned upon request; and (3) are confidential and not to be disclosed to any person other than those to whom they are given by Amphenol Corp. The furnishing of these drawings, specifications, or other data by Amphenol Corp., or to any other person to anyone for any purpose is not to be regarded by implication or otherwise in any manner licensing, granting rights or permitting such holder or any other person to manufacture, use or sell any product, process or design, patented or otherwise, that may in any way be related to or disclosed by said drawings, specifications, or other data.

MATERIAL  
 DRAWN C. McGRATH  
 ENGINEER O. BARTHELMES  
 APPROVED O. BARTHELMES  
 CAD FILE I:\BNC\31-327-RFX

DATE 8/23/02  
 DATE 8/23/02  
 DATE 9/6/02

TITLE  
 BNC CRIMP JACK RG 58

Amphenol  
 Amphenol Corporation  
 Communication and Network  
 Products Division  
 Danbury, CT U.S.A. 06810  
 SCALE: 4.0:1 SHEET 2 OF 2

CODE ID 74868 DWG SIZE B DRAWING NO. 31-327-RFX REV C

# Mouser Electronics

Authorized Distributor

Click to View Pricing, Inventory, Delivery & Lifecycle Information:

[Amphenol:](#)

[31-327-RFX](#)