

# EX<sup>®</sup> Universal Compression Connectors Series 7 & 11 Series Cable

Installers are faced with the problem of identifying old unmarked 60% through Quad Shield Series 7 & 11 cable, and having to guess which connector is the best match. This results in unnecessary service calls due to the use of the wrong connector/cable match.

The unique patented design of the EX<sup>®</sup> body achieves true universality on 60% through Quad Shield, PE, and PVC jacket.

***This product is also available with a movable pin if preferred.***

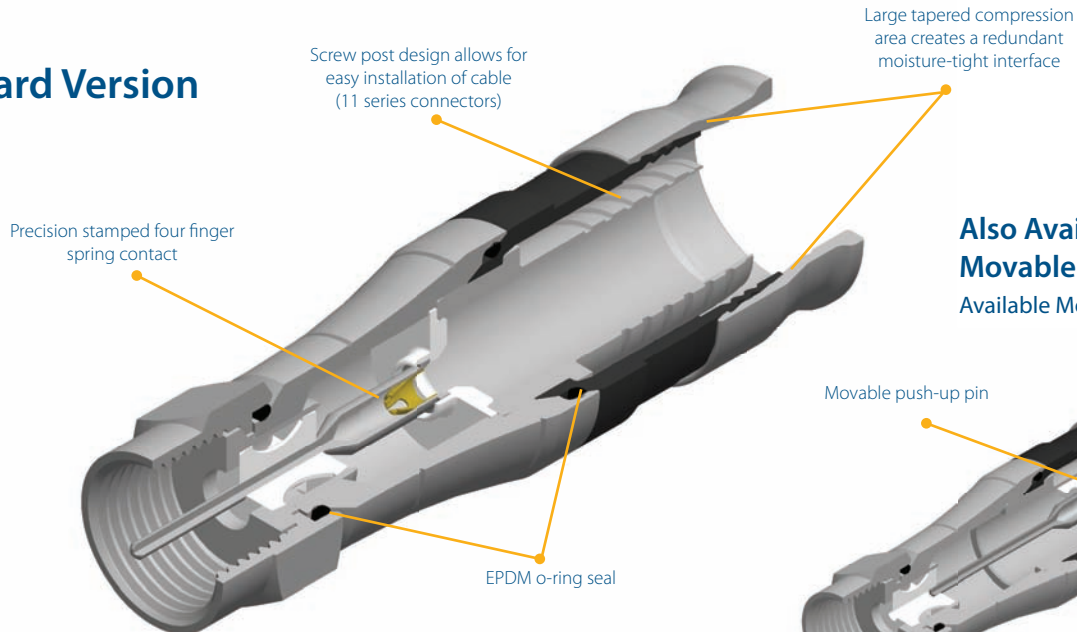


### Specifications

Bandwidth	0 MHz to 3 GHz
Impedance	75 Ohms (nominal)
Return Loss	Minimum -30 dB to 3 GHz
Insertion Loss	Less than .10 dB to 3 GHz
Operating Voltage	90 V (at 60 Hz continuous AC)
Operating Temperature	-40° F to + 140° F (-40° C to 60° C)
Cable Retention	45 lbs (20.41 kg) minimum

*Meets or Exceeds all SCTE Specifications*

## Standard Version



**Also Available:  
Movable Push-up Pin**  
Available Model# EX11N716MP

## Application



EX® Universal compression connectors used in combination with port seals ensure proper port sealing every time  
Right angle connectors prevent improper cable bending and tap ports from breaking in smaller pedestals

## EX® Series Universal Compression Connectors: Series 7 & 11



### Part Numbers

EX7	EX® Universal compression connector, 9/16" hex nut, series 7 cable
EX7N716	EX® Universal compression connector, 7/16" hex nut, series 7 cable
EX11	EX® Universal compression connector, 9/16" hex nut, series 11 cable
EX11N716	EX® Universal compression connector, 7/16" hex nut, series 11 cable
EX11N716MP	EX® Universal compression connector, 7/16" hex nut, movable push-up pin, series 11 cable
EX11RAFM	EX® Universal compression connector, right angle, 9/16" hex nut, series 11 cable



### Preparation & Installation Tools

Compression Tool	VT200	VT300	CATAS	CAT-AS-EX
¼" – ¼" universal drop cable preparation tool	LDT596-250		DDT59611	
9/16" snap torque wrench	TW309			
7/16" snap torque wrench	TW207	TW309	TW307 AH	