

5

4

3

2

1

受控 CONTROLLED DOCUMENT

编号 P/N	25-7640-CUST	版本 Rev	01	日期 Rel'd Date	SEP 14,09
-----------	--------------	-----------	----	------------------	-----------

DRAWING NO.
25-7640-CUST

REVISIONS

01	OFFICIAL RELEASE				
	08-17-09	T W	Y U	T H	<i>Betty</i> 2009.09.0 08.37.28 08.00

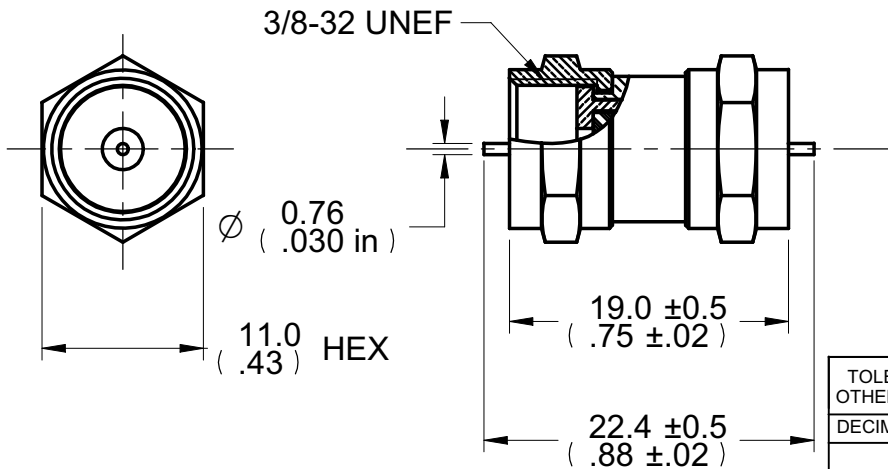
D



Description: F-71 male to male inline splice
 Part No: 25-7640
 Application: Adaptor
 Crimp Tool: N/A
 Impedance: 75 Ohms
 Frequency Range: 0-750 MHz
 Material: Body Brass Nickel plated
 Nut Brass Nickel plated
 Contact Brass Nickel plated
 Insert Brass Nickel plated
 Insulator Derlin
 RoHS Compliance: Yes
 Technical Detail: Refer to Emerson Document P/N 25-0000

C

B



DIM OUTLINE

CUSTOMER COPY

A

TOLERANCE UNLESS OTHERWISE SPECIFIED		DRAWN BY TERRY.W	DATE 08-17-09
DECIMALS	mm	CHECKED BY BETTY.YU	DATE 08-17-09
X	± 0.5	APPROVED BY THOMAS	DATE 08-17-09
X.X	± 0.3	U/M	mm
X.XX	± 0.1		
ANGLES	± 0.5°		

EMERSON
Network Power

Connectivity Solutions

TITLE
F-71 MALE TO MALE INLINE SPLICE

THIS DRAWING WAS PRODUCED BY COMPUTER, DO NOT SCALE DRAWING OR UPDATE MANUALLY.

SHEET 1 OF 1	DRAWING NO. 25-7640-CUST	SIZE A
-----------------	-----------------------------	-----------

5

4

3

2

1